

MEN48

The Menhir universal pedestal is the perfect support for mounting industry leading level 2 EV charging stations. It is available in 48" height and designed to support one EV charging unit. The Menhir enables contractors to convert their customer's parking spaces into charging places.

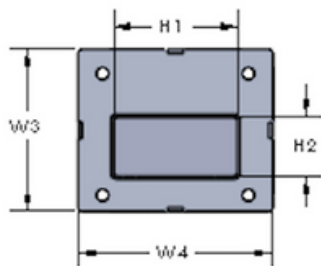
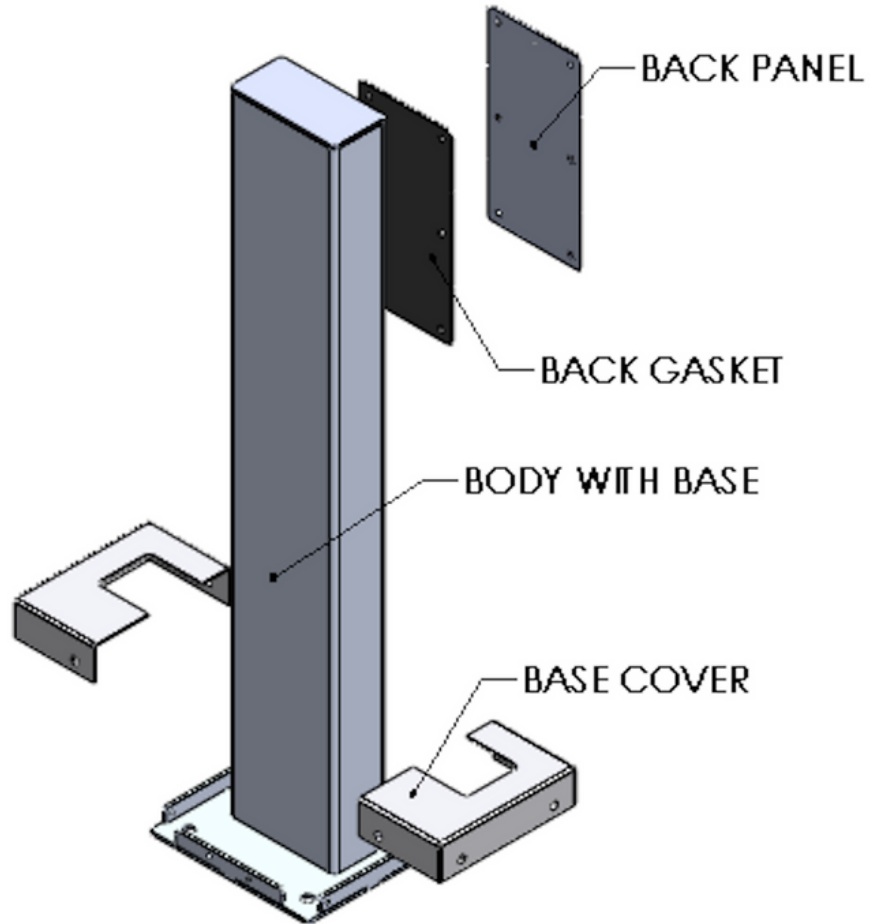
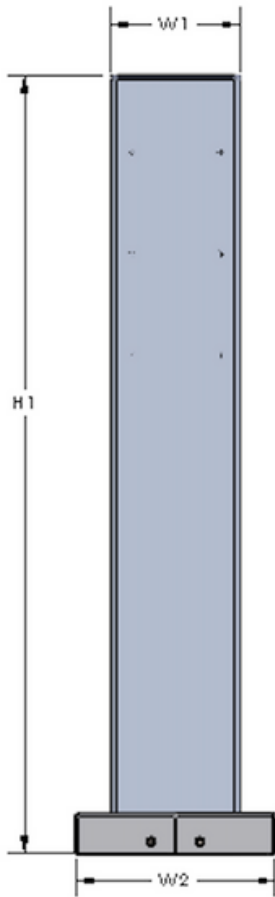
## FEATURES

- Constructed from heavy gauge sheet metal (18g, 14g & 11g) and plate metal (1/4" & 1/8") either aluminium or steel.
- 8" x 4" post allows not only a range of Level 2 EV charging units to be mounted but offers branding real estate
- Security bolts are used to prevent tampering and unauthorized access
- Back panel is removable for easy access for servicing
- Hi-grade powder coating as standard  
Available in four colours but not limited to:



## SIGNAGE PACKAGE OPTIONS INCLUDE

- Premium outdoor rated vinyl on all surfaces
- Stand-off panelling
- Illuminated custom shaped signage



Dimensions (inches)		
Base plate	Height	Post
10" x 12"	48"	8" x 4"

WEIGHT (lbs)		
MODEL	Steel	Aluminum
MEN48	55	20

